

TO EXIT THE SET UP OPTIONS (AND RETURN TO GENERAL PROGRAMMING):

Method 1. Press the SEL button until the SET UP exit screen is displayed in either SET UP I or II, then press ACT. Your pump will return to the TIME OF DAY screen. (See Figure 83).

- or -

Method 2. Allow 15 seconds to elapse during which time the pump will automatically return to the TIME OF DAY screen.

Figure 83
Press SEL repeatedly to get to the SET UP EXIT screen. Press ACT.



Note: Display elements that are blinking are shown outlined.

SETTING THE TIME AND DATE

When batteries are in your 507C, it is turned on and the TIME OF DAY screen is displayed. The time shown on the clock is used to time the insulin delivery of your basal rate(s). The date is used to sort the long term data stored in your pump's memory. Therefore, it is important that both the time and date be set accurately.

TO SET THE TIME OF DAY AND DATE:

- Step 1.** Press the SEL button until the SET UP I screen is displayed, then press the ACT button. The SET TIME screen will be displayed. (Figure 84).
- Step 2.** Press the ACT button. The screen will display the words "SET HOURS". The hours will blink indicating they can be changed.
- Step 3.** USE the arrow buttons to set the correct hour. Make sure "AM or PM" is set correctly.(Figure 85).
- Step 4.** Press the ACT button. The screen will display the words "SET MINUTES". The minutes will blink, indicating they can be changed.
- Step 5.** USE the arrow buttons to set the correct minute (Figure 86).
- Step 6.** Press the ACT button. The screen will display the words "SET YEAR". The year will blink indicating it can be changed.
- Step 7.** Use the arrow buttons to set the correct year number (Figure 87).
- Step 8.** Press the ACT button. The screen will display the words "SET MONTH". The month will blink indicating it can be changed.
- Step 9.** Use arrow buttons to set the correct month number (1-12) (Figure 88).

Step 10. Press the ACT button. The screen will display the words "SET DAY". The day will blink, indicating it can be changed.

Step 11. Use arrow buttons to set the correct day number (1-31) (Figure 89).

Step 12. Press the ACT button. The pump will display the time and date you've just set for five seconds. The pump will now display the next SET UP I screen: AUTO-OFF. Your pump will return to the TIME OF DAY screen if no additional buttons are pressed within 15 seconds.

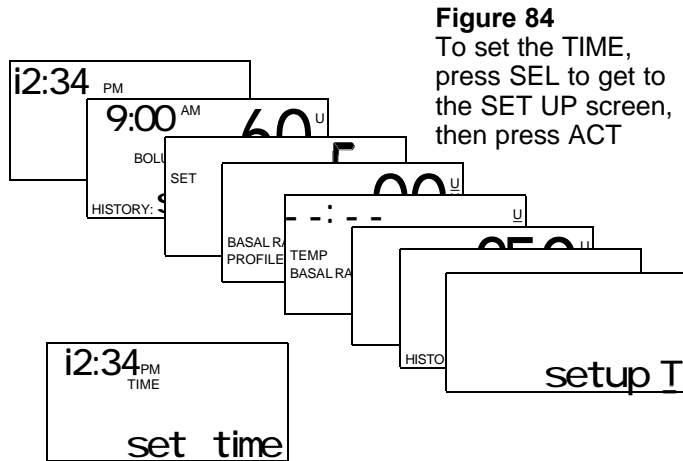
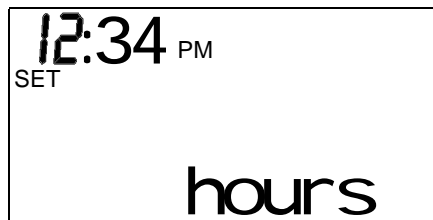


Figure 84
To set the TIME, press SEL to get to the SET UP screen, then press ACT

Figure 85
To set hours: press ACT, then use arrows.



Note: Display elements that are blinking are shown outlined.

Figure 86
To set minutes: press ACT, then use arrows.

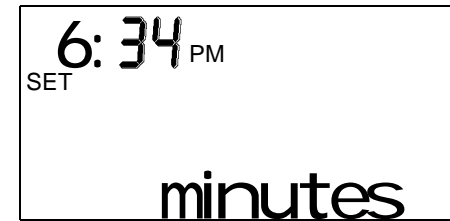


Figure 87
To set year: press ACT, then use arrows.

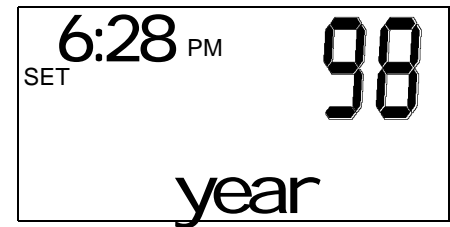


Figure 88
To set month: press ACT, then use arrows.



Figure 89
To set day: press ACT, then use arrows.

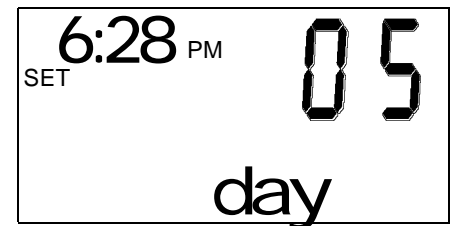
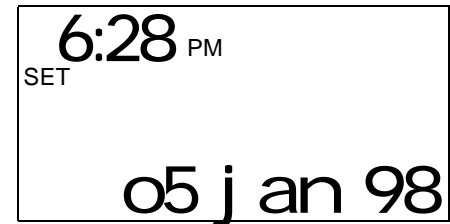


Figure 90
Press ACT. Screen displays new time and date.



Note: Display elements that are blinking are shown outlined.